

Gas Valves

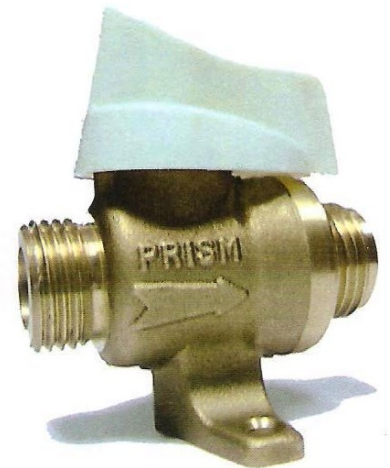



Prisma
GAS EQUIPMENTS
GAS EQUIPMENTS

AUTOMATIC SHUT OFF VALVE (Brass) **(ASOV-209)**

PRISM GAS EQUIPMENTS is committed to provide all types of Gas Equipment's to be used in Residential, Industrial, Onshore, Offshore uses which meet all International Standards.

Prism offers complete range of industrial valves. With several body styles and ratings on offer, a wide range of applications can be controlled effectively with threaded or flanged options.



PRODUCT DESCRIPTION

Prism Automatic Shut Off Valve (ASOV-209)

ASOV-209 consists of Ball Valve with built in Excess Flow valve, in case of increase in inlet Pressure Excess flow valve activates and stops the supply to appliances.

Manual shut-off valves for gas, with automatically closing safety device available in 1/2" size.

Economical and versatile Brass body full bore Manual valve.

Prism Ball valve range will provide reliable and proven long term service.

Flow direction is mentioned on the body by an arrow.

APPLICATION

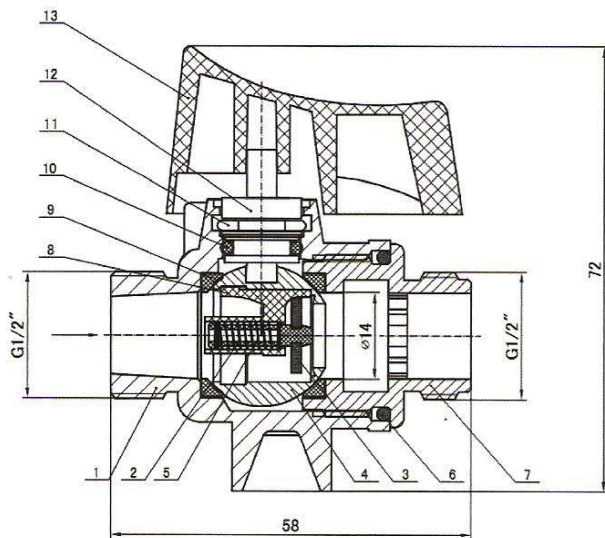
ASOV-209 used as an Automatic Shut Off Valve prior to domestic gas appliance.

Product Specifications

Primary Material : Brass Bronze
 Media : LPG, Natural Gas
 Valve Size : 1/2"
 No of Ports : 2, Inlet, Outlet
 Actuation : Automatic, Spring Actuation

TECHNICAL FEATURES

Cut Off Pressure : 32 mbar or 15 mbar \pm 10%
 Maximum Flow Rate : 2.5 m³/hr
 Working Temperature : -20 ÷ 50 °c
 Inlet Connections : Male 1/2" NPT
 Outlet connections : Male 1/2" NPT



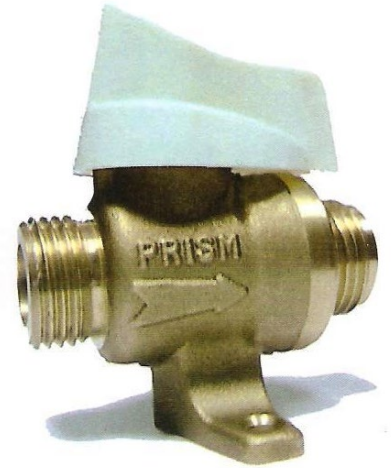
MATERIAL LIST		
No.	Parts	Material
1	Body	HPb59-1
2	Plastic part A	Plastic
3	Gasket	EPDM
4	Ball	HPb59-1
5	spring	Stainless steel
6	"O" Ring	EPDM
7	Bonnet	HPb59-1
8	Plastic Part	Plastic
9	Sealing	EPDM
10	"O" Ring	EPDM
11	Brass ring	Stainless steel
12	Stem	HPb59-1
13	Handle	HPb59-1

Automatic Shut off Valves

Prism Automatic Shut off valves are designed to cut off the Gas incase the upstream pressure increase more than the set pressure of the valve.

Prism Auto Shut off valve is extension of the Prism Ball valve series PBV.

It is specially designed to be installed prior to Appliance.



TECHNICAL FEATURES

Maximum working pressure	37 mbar
Maximum Flow Rate	2.5 m ³ /hr
Working Temperature	-20 ÷ 50 °c
Inlet Connections	Male 1/2" NPT
Outlet connections	Male 1/2" NPT
No of Ports	2
Designed as per EN 161 for automatic shut off valve	



PRISM GAS EQUIPMENT INC.
789 Cobble Hill Drive, Ottawa ON
K2J 0C4, Canada
Web Page : www.prism-canada.net
Email : info@prism-canada.net

