

Gas Valves



ABOUT PRISM

PRISM GAS EQUIPMENTS is committed to provide all types of Gas Equipments to be used in Residential, Industrial, Onshore, Offshore uses which meet all international Standards.

Our Gas detection systems, Gas meters, Gas Valves and a complete range of products used in gas industry are pioneered through our innovative products, our services and reliability beside our commitment and technical approach.

PRISM products rely heavily on field user feedback to improve and introduce for you the latest products.

At prism, Products are always application-driven and solution-oriented

Whether for a single application, or to encompass multiple rooms and areas, our fixed-point monitoring solutions are developed to meet the individual needs of our customers. In fact, when you contact us for information about our fixed systems, chances are we will ask you a lot more questions than you will ask us:

- What are the type of gases do you need to monitor?
- What are other background gases may be present in the area you are monitoring?
- What is the size of the area being monitored?
- Where do you expect to experience a problem?
- What is the typical air flow direction in the area to be monitored?

At PRISM, application oriented solutions are our Goals for every product we sell. Need the best solution for your application? Our customer Service representatives will take the time to answer all of your questions...and ask the right ones.



Prism offers complete range of industrial valves. With several body styles and ratings on offer, a wide range of applications can be controlled effectively. With threaded or flanged options. Prism ball valve range will provide reliable and proven long term service.

Material Specifications & Industry Standards for Manual Valves:

Bodies

- Cast Iron ASTM A-126 Class B
- Ductile Iron ASTM A-395 Grade 60-40-18
- Cast Steel ASTM a-216 Grade WCB
- Stainless Steel ASTM A-351 Grade CF8
- 316 Stainless Steel ASTM A-351
- Bronze ASTM B62 alloy 836

Prism Ball Valve Model PBV

Description

Threaded ball valve 1 piece body and compact design. Self adjusting live loaded stem packing. Blow out proof stem.

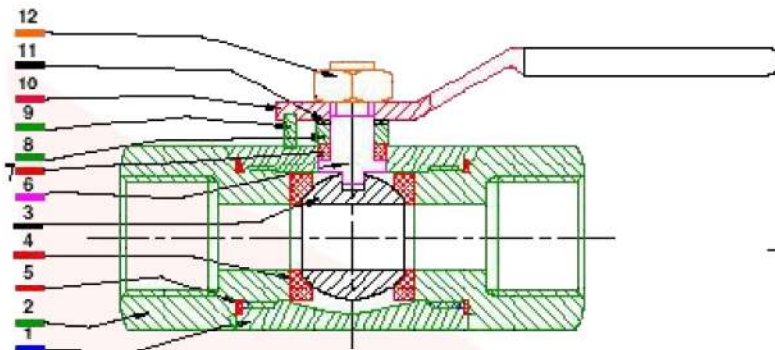
Optional Mechanical lock facility with ability to be padlocked as standard.

| | |
|-----------------|----------------------------------|
| Size Range | : 1/2" to 3" |
| Bore Type | : Reduced and Full. |
| Body Material | : Carbon Steel & Stainless Steel |
| Seats | : PTFE/RPTFE/DELRIN |
| Pressure rating | : 1/2" to 3" Standard 1000 WOG. |
| End Connections | : Threaded NPT/ BSP |



Specifications

| | |
|---|---------------------|
| One Piece Reduced Port 316 Stainless Steel Ball Valve | |
| Maximum Operating Pressure | : 1000 PSIG @ 100°F |
| Operating Temperature Range | : -60 to 450°F |
| End Connections | : NPT, BSP Threads |



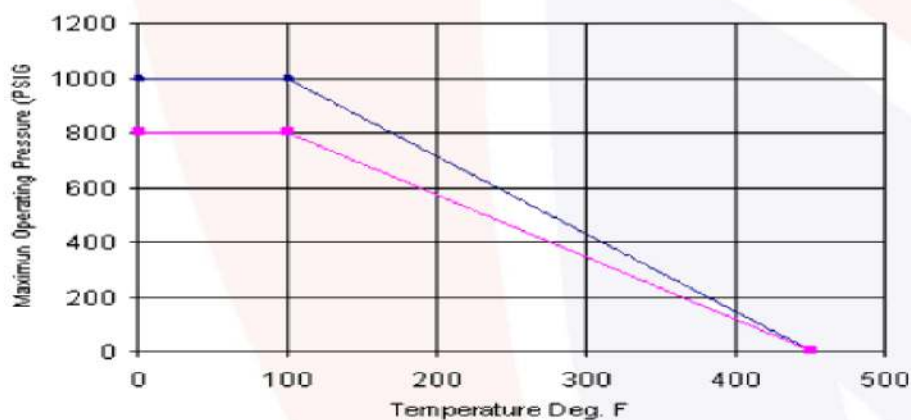
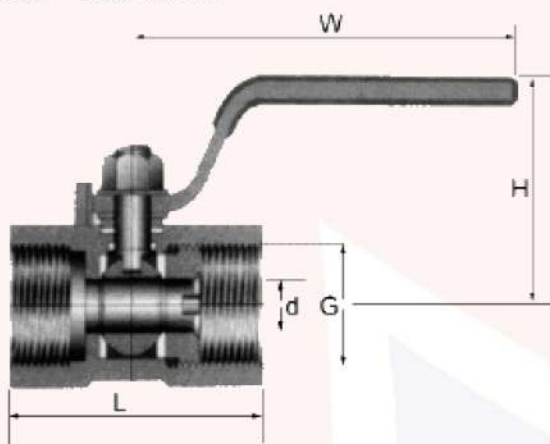
MAIN PARTS AND MATERIALS

| PART NAME | MATERIAL | QTY |
|---------------|------------|-----|
| BODY | SS316 | 1 |
| SEAT | PTFE | 2 |
| BALL | SS316/CF8M | 1 |
| JOINT GASKET | PTFE | 1 |
| CAP | SS316 | 1 |
| BODY | SS316 | 1 |
| STEM | SS316 | 1 |
| THRUST WASHER | PTFE | 1 |
| STEM PACKING | PTFE | 1 |
| GLAND NUT | SS304 | 1 |
| STEM WASHER | SS304 | 1 |
| STEM NUT | SS304 | 1 |
| HANDLE COVER | PLASTIC | 1 |
| HANDLE | SS304 | 1 |

| Model No | SIZE | d | L | H | W |
|----------|--------|------|------|------|-----|
| PBV-101 | 1/2" | 9.2 | 56.5 | 43.5 | 90 |
| PBV-201 | 3/4" | 12.5 | 58 | 47 | 90 |
| PBV-301 | 1" | 15.0 | 70 | 50 | 103 |
| PBV-401 | 1 1/4" | 20.0 | 78 | 57 | 103 |
| PBV-501 | 1 1/2" | 24.5 | 83 | 69 | 127 |
| PBV-601 | 2" | 32.0 | 100 | 74.5 | 127 |

Maximum Operating Pressure Temperature Data 1/2" to 3"

1/2" to 2" Blue Curve 2 1/2" to 3" Red Curve



Manual Valves (Brass)



Prism Manual Valves are available in 1/2" and 3/4" sizes.

The economical and versatile Prism Brass Body or Nickel plated, brass bodied full bore manual valves are especially suited for gas and liquid applications.

The quarter turn operation in conjunction with the PTFE seats provides fast positive isolation.

Full bore construction minimizes head loss and the hard chrome plated ball offers excellent wear resistance. These valves are supplied with female ends and are lever operated as standard but other options.



Model no. Pr 109A Material Specification

| Sr No | Parts | Material |
|-------|--------------------|--------------------------|
| 1 | Body | Forged Brass ASTM C37700 |
| 2 | Seat | PTFE |
| 3 | Chrome Plated Ball | Forged Brass ASTM C37700 |
| 4 | Stem O Ring | Butyronitrile Rubber |
| 5 | Packing Nut | Forged Brass ASTM C37700 |
| 6 | Stem | Forged Brass ASTM C37700 |
| 7 | Handle | Aluminum Alloy |



PRISM GAS EQUIPMENT INC.
789 Cobble Hill Drive, Ottawa ON
K2J 0C4, Canada
Web Page : www.prism-canada.net
Email : info@prism-canada.net

