

Gas Solenoid Valves




Prism
GAS EQUIPMENTS
GAS EQUIPMENTS

ABOUT PRISM

PRISM GAS EQUIPMENTS is committed to provide all types of Gas Equipments to be used in Residential, Industrial, Onshore, Offshore uses which meet all international Standards.

Our Gas detection systems, Gas meters, Gas Valves and a complete range of products used in gas industry are pioneered through our innovative products, our services and reliability beside our commitment and technical approach.

PRISM products rely heavily on field user feedback to improve and introduce for you the latest products.

At prism, Products are always application-driven and solution-oriented

Whether for a single application, or to encompass multiple rooms and areas, our fixed-point monitoring solutions are developed to meet the individual needs of our customers. In fact, when you contact us for information about our fixed systems, chances are we will ask you a lot more questions than you will ask us:

- What are the type of gases do you need to monitor?
- What are other background gases may be present in the area you are monitoring?
- What is the size of the area being monitored?
- Where do you expect to experience a problem?
- What is the typical air flow direction in the area to be monitored?

At PRISM, application oriented solutions are our Goals for every product we sell. Need the best solution for your application? Our customer Service representatives will take the time to answer all of your questions...and ask the right ones.



Series for Normally Closed

PRV-DO (Oil)
PRV-DG (Gas)
PRV-DA (Air)
PRV-DW (Water)

Series for Normally Open

PRV-PO (Oil)
PRV-PG (Gas)
PRV-PA (Air)
PRV-PW (Water)

Electrical: *Standard Voltage:* 220 volts AC, 60 Hz; *Other voltages available:*
24, 240, volts, AC, 60 Hz (or 110, 220 volts, AC, 50 Hz);
6, 12, 24, 120, 240 volts, DC.

Coil: Continuous duty molded Class F

A minimum of moving parts and simplicity of design results in long term trouble free operation. Prism solenoid valves are normally closed, direct operated, low and high pressure used for Propane, Natural Gas, Oil, Air and Water.

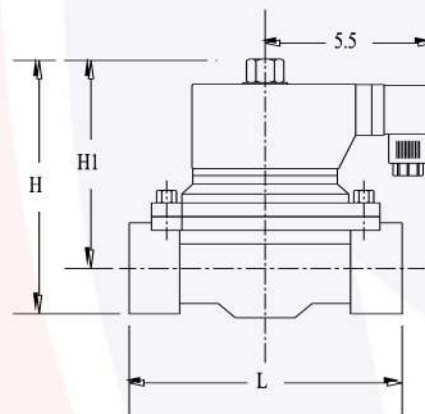
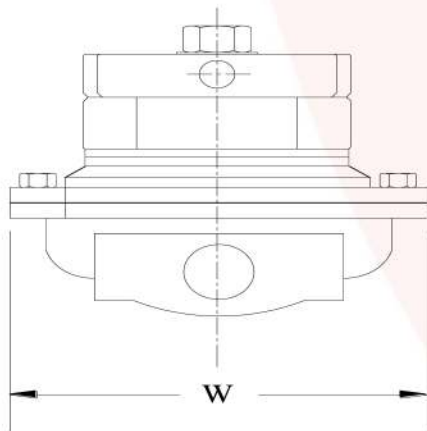
Features

- Normally Closed Type
- Application: Propane Gas, Natural Gas, Air
- Brass Body confirming to EN12165
- Diaphragm FPM, NBR, PTFE
- DIN 40 050 Waterproof coil
- DIN 43 650 DIN-Plug to IP65 grade Protection
- Continuous cycle,
- Optional Explosion Proof coil 3E, EEXmIIT4
- Ambient temperature: -15 °C ~ 60° C
- Voltage Tolerance: ± 8%
- 360° Rotary Coil
- Intrinsic Safe Coil
- Coils orient ability at 360° Easy and quick installation

Prism Coils are designed for continuous duty in conformity to the EN60730 safety standards. They are encapsulated in a self-extinguishing synthetic material and offer high mechanical protection and excellent thermal dissipation. They are fully interchangeable on most of Prism solenoid valves, thereby reducing warehouse inventories.

TECHNICAL SPECIFICATION FOR SOLENOID VALVE

Pipe Size inches	Orifice Size in mm	Operating Pressure in psi AC		Operating Pressure in psi DC		Model No PRV	Power Consumption in watts	Dimensions		
		Min	Max	Min	Max			L	W	H
1/2	12	0.0	35	0.0	20	1200	35W	65	55	110
3/4	18	0.0	125	0.0	80	1800	35W	78	65	116
1	22	0.0	125	0.0	80	2400	50W	90	80	124
1 1/4	30	0.0	150	0.0	80	3200	50W	94	88	141
1 1/2	36	0.0	150	0.0	80	4000	50W	108	98	160
2	46	0.0	150	0.0	80	4800	50W	115	108	160



Technical Details

Mechanical

Body material: Brass (CW617N EN 12165)

Orifice material: stainless steel (AISI 303 EN 10088-3)

Seal material: PTFE

Electrical Details for Solenoid Coil

220 volts AC, 60 Hz 24 volts DC

Voltage tolerance: +10% ÷ -15% AC / ± 5% DC

Protection class: IP65 (with connector) - EN 60529

Insulation class: "F" and "H" EN60730

Operation: continuous

DIN CONNECTORS FOR SOLENOID VALVES

Rated voltage (Max.): 250V AC-300V DC

Nominal current: 10 A (Rated)/16A (Max.)

Wire cross-section: 1.5 mm² (Max.)

Cable diameter: 6-8 mm (PG9)

Protection class: IP65 - EN 60529

Insulation class: group C - VDE 0110

Color: black

Supplied with screw and NBR gasket

Prism mission is to benefit society by providing solutions through industry leading products, services and systems that save lives and protect capital resources from the dangers of hazardous gases and vapours.

Prism Gas Equipments brand name is synonymous with process safety and reliability in combustible, flammable and toxic environments.

Prism Gas Equipments stocks a complete range of products used in Gas Industry.

Prism with its extensive range of products and its sales network we can deliver you products used in gas industry as per your needs and demand.

As your partner for success in whatever your process needs, Prism will provide solutions that will meet or exceed your expectations.



PRISM GAS EQUIPMENT INC.
789 Cobble Hill Drive, Ottawa ON
K2J 0C4, Canada
Web Page : www.prism-canada.net
Email : info@prism-canada.net

